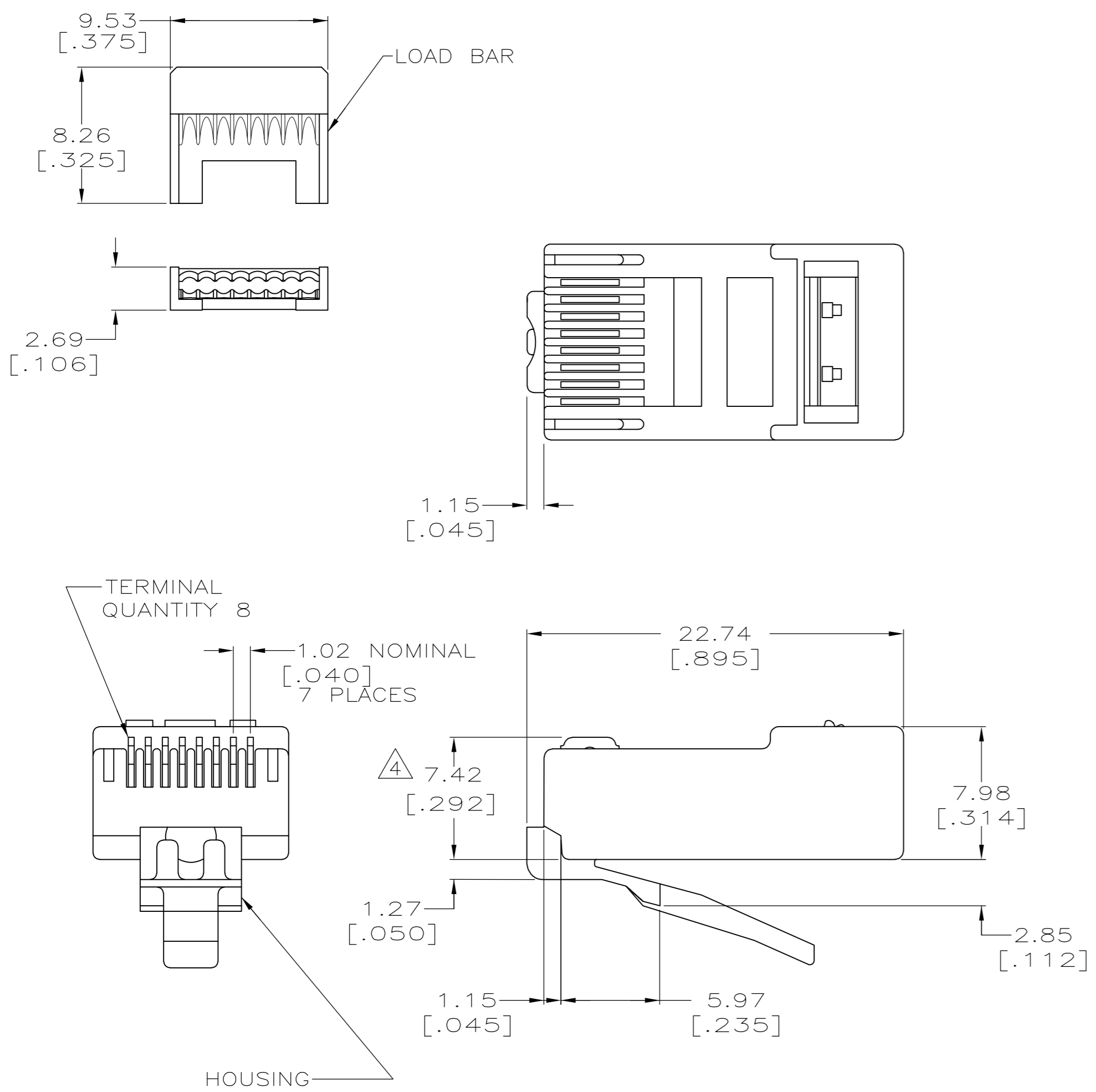


THIS DRAWING IS UNPUBLISHED. RELEASED FOR PUBLICATION  
 © COPYRIGHT BY TYCO ELECTRONICS CORPORATION. ALL RIGHTS RESERVED.

LOC	DIST	REVISIONS					
HM	00	P	LTR	DESCRIPTION	DATE	DWN	APVD
		D		ECO-05-008509	06SEP2005	JM	MD
		E		REV ECO-08-007212	31MAR08	LH	BM
		F		REV ECO-08-011018	05MAY08	LH	BM



- 1 MATERIAL:  
HOUSING—94V-0 RATED POLYCARBONATE,CLEAR.  
TERMINAL—0.36[.014] THICK PHOSPHOR BRONZE PLATED WITH 1.27 $\mu$ m[.000050] MINIMUM THICK GOLD IN LOCALIZED AREA, GOLD FLASH OVER THE REMAINDER, OVER 2.54 $\mu$ m[.000100] MINIMUM THICK NICKEL UNDERPLATE.  
LOAD BAR — PBT POLYESTER, BLACK.
- 2 DIMENSIONS ARE MAXIMUM UNLESS OTHERWISE SPECIFIED.
- 3. PLUG WILL ACCEPT A 24 AWG STRANDED CONDUCTOR, PROVIDED THE INSULATED CONDUCTOR DIAMETER IS LESS THAN OR EQUAL TO 0.99 [.039]; WITH A MAXIMUM CABLE JACKET DIAMETER OF 5.59 [.220], MINIMUM 4.83 [.190].
- 4 TERMINATED DIMENSION 6.15[.242] MAXIMUM.
- 5 500 ASSEMBLIES AND 500 LOAD BARS PER PACKAGE.
- 6 100 ASSEMBLIES AND 100 LOAD BARS PER PACKAGE.
- 7 25 ASSEMBLIES AND 25 LOAD BARS PER PACKAGE.
- 8 10,000 ASSEMBLIES AND 10,000 LOAD BARS PER PACKAGE.
- 9. UL RECOGNIZED: FILE NUMBER E81956

7	5-558530-4
6	5-558530-3
5	5-558530-2
8	5-558530-1
PACKAGED	PART NUMBER

THIS DRAWING IS A CONTROLLED DOCUMENT.		DWN	T. WOOTEN	5-31-94	Tyco Electronics Corporation Harrisburg, Pa 17105-3608
DIMENSIONS: MM [ INCHES]		CHK	D. HUSSEY	7-13-94	
TOLERANCES UNLESS OTHERWISE SPECIFIED:		APVD	-	-	NAME
0 PLC	± -	PRODUCT SPEC	108-1163	MODULAR PLUG ASSEMBLY, 8 POSITION, ROUND CABLE, STRANDED WIRE	
1 PLC	± -	APPLICATION SPEC	114-6053	SIZE	A2
2 PLC	± -	WEIGHT	-	CAGE CODE	00779
3 PLC	± -	CUSTOMER DRAWING		DRAWING NO	C=558530
4 PLC	± -	SCALE	4:1	RESTRICTED TO	-
ANGLES	± -	SHEET	1 OF 1	REV	F
FINISH	-	REV	F		